

SERIES

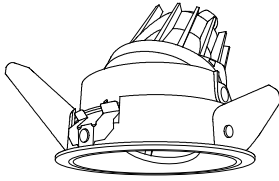
ModuleX® 60

FUNCTION

Adjustable downlight

CAT, NO

SX-B0654D/RB/CE



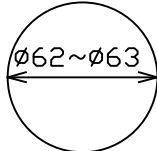
SPECIFICATION

- Light Source LED Module(Mounted)
- Frame White(W), Matte black(M)
- Cone White Cone (WC), Matt black Cone (MC),
- Vertical aiming angle MAX 40°
- Horizontal aiming angle 355°
- Dedicated Driver Constant current (50/60Hz shared)
- Fixture input voltage 9.6V
- Fixture input current 0.48A (0.5A MAX)
- Weight 150g

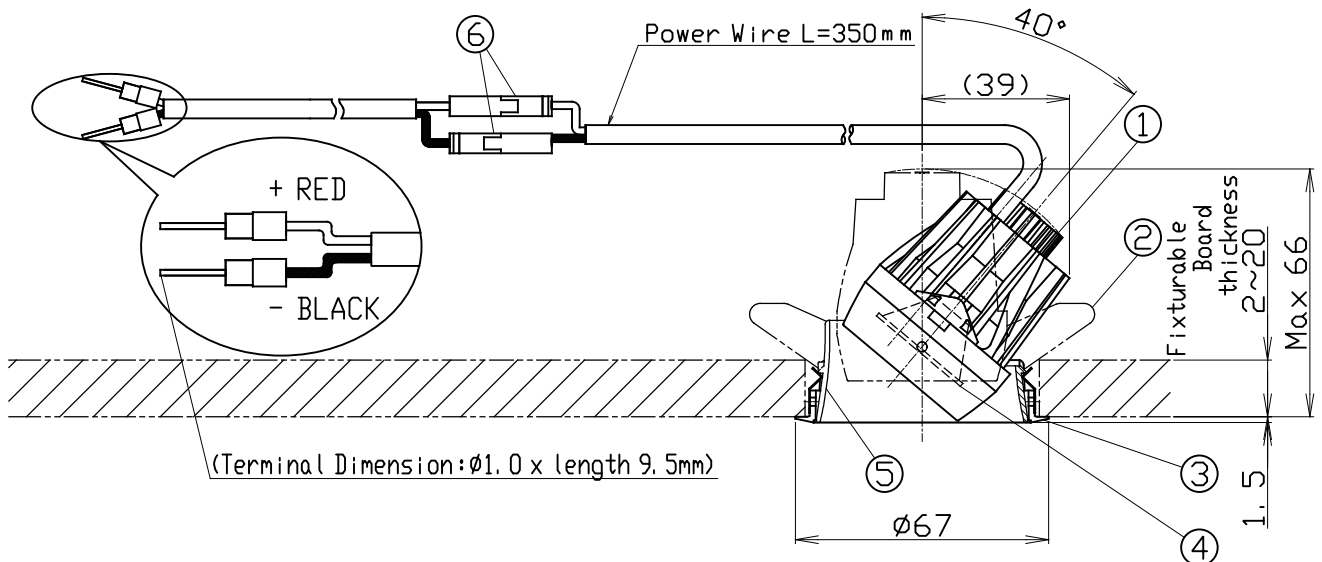
PRODUCT CODE

- SX-B0654D/W/R27B/W·M/CE
- SX-B0654D/W/R30B/W·M/CE
- SX-B0654D/W/R35B/W·M/CE
- SX-B0654D/W/R40B/W·M/CE

(mm)



Ceiling Hole Diameter
 $\phi 60 \sim \phi 61$ For Plaster Board



	PARTS	MATERIAL	REMARK
1	Body	ADC	Acrylic Baking Finish
2	Unit Mounting Spring	Stainless Steel	
3	Frame	ADC	Acrylic Baking Finish
4	Optical Lens	Resin	
5	Cone	ADC	Acrylic Baking Finish
6	Safety Connector	Resin	

ATTENTION

- Do not cover fixtures with the heat insulator etc.
- Please use constant current driver.
- Connect input-side power wire to the approved driver directly.
- Danger! Do not remodel fixtures.
- Use within 0°C~35°C ambient temperature range.
- Emission color and brightness would be different even within the same model.
- Do not cut off power wire. Use dedicated cable only for extension.
- Keep distance of the fixtures and objects 0.2m or more.
- Please do not remove safety connector.
- This equipment is a ceiling installation exclusive equipment. It can not be mounted on an inclined ceiling or wall.
- Please use the 'class2' driver. In that case, grounding is not required.

ModuleX®
 ModuleX Inc.

SPECIFICATION SHEET

SCALE
 1/2

CREATED DATE
 1/APR/2020

REVISION DATE